

## **Two - Handle Bar Faucet**

# Product Spec Sheet



### **FEATURES & BENEFITS**

GLL-325C  
Chrome Finish

- This Product Contains Less Than 0.25% Weighted Average Lead Content On Wetted Surfaces
- Metal Lever Handle
- Washerless Cartridge
- Max Flow Rate 1.5 GPM (5.7L/Min) At 60 PSI (ASME A112.18.1/A112.18.1)

### **Approvals:**

Meets or Exceeds The Following:

- \* ANSI/ASME A112.18.1/A112.18.1
- \* NSF/ANSI 61 - Sec. 9
- \* NSF/ANSI 372
- \* IAPMO/cUPC
- \* CA AB1953
- \* ADA Compliant
- \* NSF/ANSI/CAN 61:  $Q \leq 1$



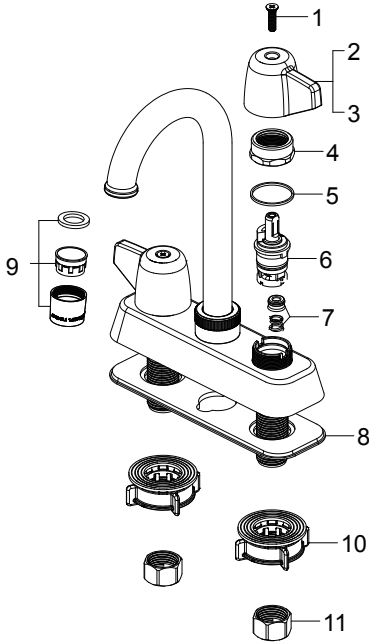
**TEL:** 888-649-0605

**FAX:** 877-892-1950

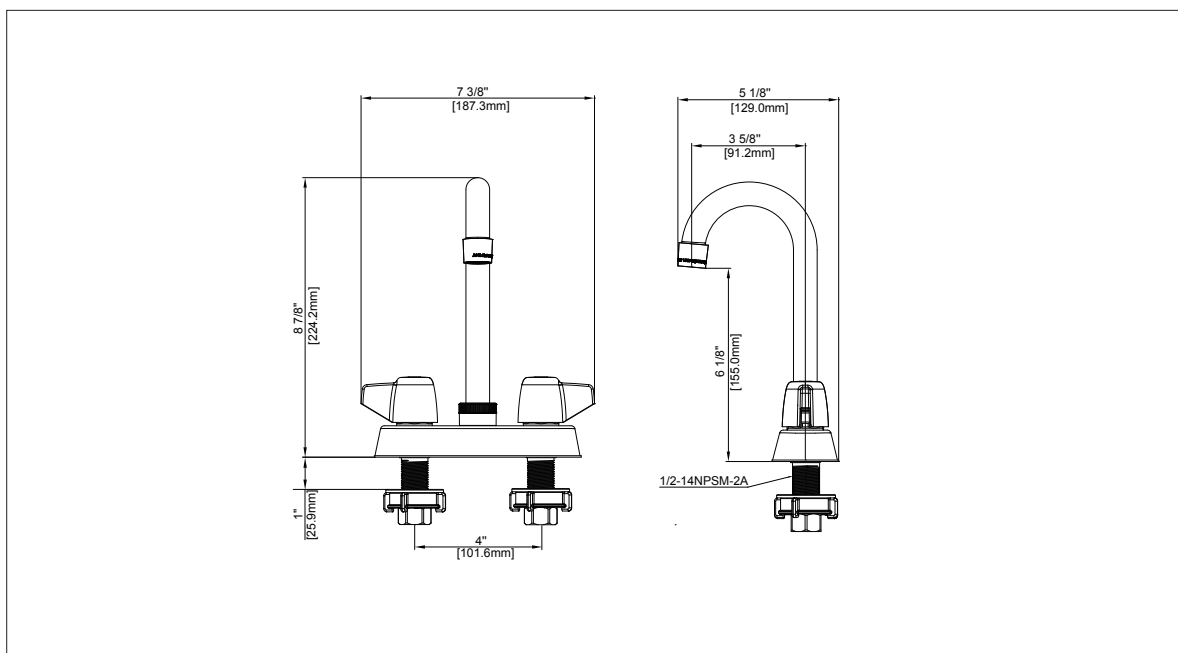
Visit Our Web Site : [www.gemlinefaucets.com](http://www.gemlinefaucets.com)

## Two - Handle Bar Faucet

No.	Name	Part No.
1	Screw / Tornillo	RP50210
2	Handle H / Llave H	RP13765*
3	Handle C / Llave C	RP13766*
4	Bonnet / Bonete	RP70678
5	Washer / Arandela	RP64123
6	Cartridge / Cartucho	RP22010
7	Seat & Spring / Base y resorte	RP22008
8	Gasket / Junta	RP80752
9	Aerator / Aireado	RP30067*
10	Easy install nut / Tuerca fácil de instalar	RP56095
11	Coupling nut / Tuerca de acoplamiento	RP56002



\* Specify Finish  
\* Especifique el Acabado



**Product Spec Sheet**